


The Timken Company

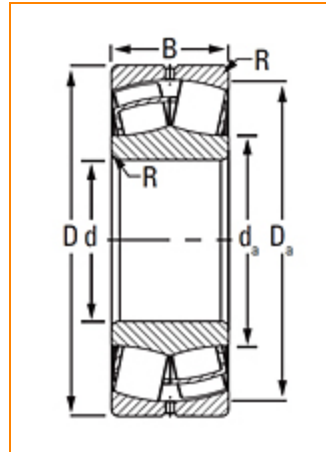
4500 Mt Pleasant St. NW

N. Canton, OH 44720

Phone: (234) 262-3000

E-Mail: CustomerCAD@timken.com • **Web site:** www.timken.com
Part Number 23120EJW33, Spherical Roller Bearings - Steel Cage

Spherical bearings are designed to manage high radial loads even when misalignment, poor lubrication, contamination, extreme speeds or critical application stresses are present.



[Specifications](#) | [Factors](#) | [Dimensions](#) | [Abutment and Fillet Dimensions](#) | [Basic Load Ratings](#)

Specifications

UPC Code	087796266940
Design Unit	Metric
d - Bore	100 mm
Lubrication Type	Standard Grease
Cage Type	EJ
Cage Material	Steel
Superseded Part	23120CJW33

Factors


e - ISO Factor¹	0.28
-----------------------------------	------

Y0 - ISO Factor²	2.3
Y1 - ISO Factor³	2.35
Y2 - ISO Factor⁴	3.5
Reference Thermal Speed Rating (Grease)	2700 rpm
Reference Thermal Speed Rating (Oil)⁵	3200 rpm
Cg - Geometry Factor⁶	0.0673

Dimensions

D - Outer Diameter	165 mm 6.4961 in
B' - Inner Ring Width	52 mm 2.0472 in
B - Outer Ring Width	52 mm 2.0472 in

Abutment and Fillet Dimensions

R - Inner Ring "To Clear" Radius⁷	2 mm 0.080 in
r - Outer Ring "To Clear" Radius⁸	2 mm 0.080 in
da - Inner Ring Backing Diameter	114.0 mm 4.5000 in
Da - Outer Ring Backing Diameter	150 mm 6.000 in

Basic Load Ratings

C0 - Static Radial Rating	583000 N 131000 lbf
C1(2) - Dynamic Radial Rating (Two-Rows)	446000 N 100000 lbf

¹ These factors apply for both inch and metric calculations. Consult your Timken representative for instruction on use.

² These factors apply for both inch and metric calculations. See engineering

³ These factors apply for both inch and metric calculations. Consult your Timken representative for instruction on use.

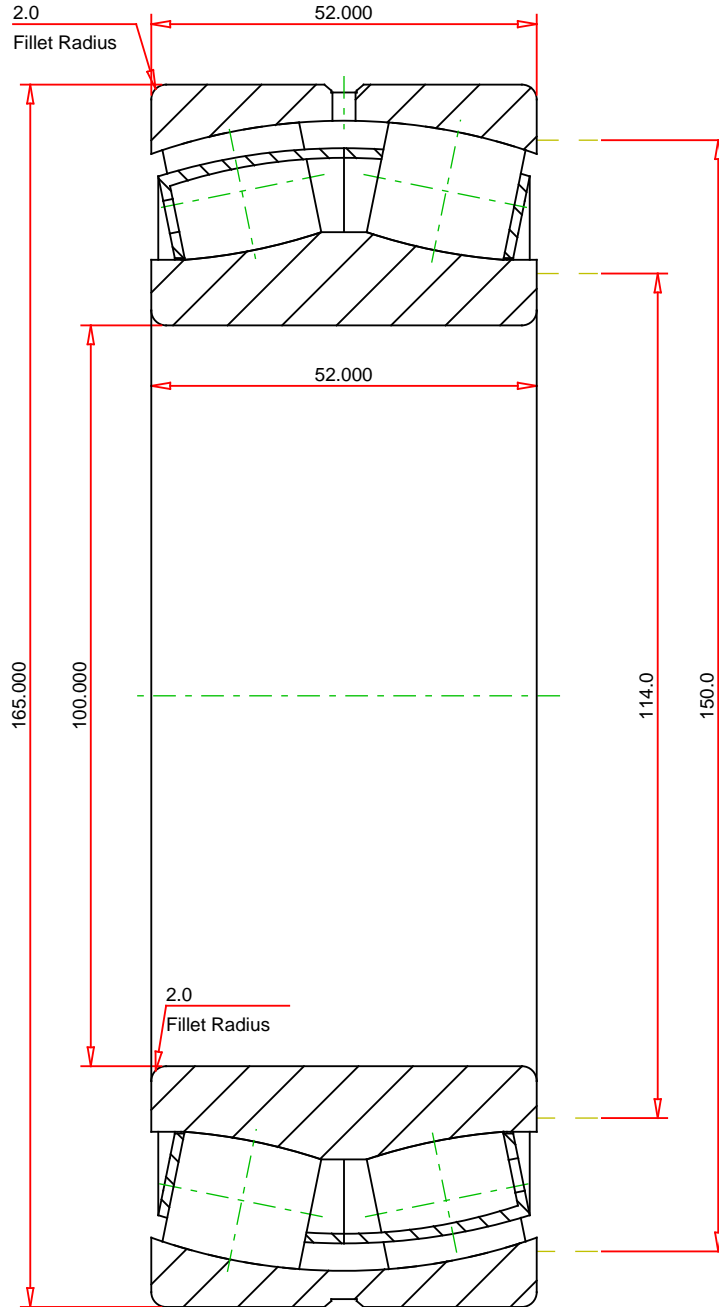
⁴ These factors apply for both inch and metric calculations. Consult your Timken representative for instruction on use.

⁵ See thermal speed ratings in the engineering section.

⁶ Geometry constant for Lubrication Life Adjustment Factor a3l.

⁷ Maximum housing fillet radius that bearing corners will clear.

⁸ These maximum fillet radii will be cleared by the bearing corners.



METRIC UNITS

Number of Rollers Per Row	22
ISO Factor e	0.28
ISO Factor Y0	2.30
ISO Factor Y1	2.35
ISO Factor Y2	3.50
Bearing Weight	kg
Cage Type	EJ
Cage Material	Steel

TIMKEN®

THE TIMKEN COMPANY
NORTH CANTON, OHIO USA

23120EJW33 SRB ASSEMBLY	
Dynamic Radial Rating (Two Rows)	446000 N
Static Radial Rating	583000 N

Every reasonable effort has been made to ensure the accuracy of the information contained in this writing, but no liability is accepted for errors, omissions or for any other reason.

FOR DISCUSSION ONLY