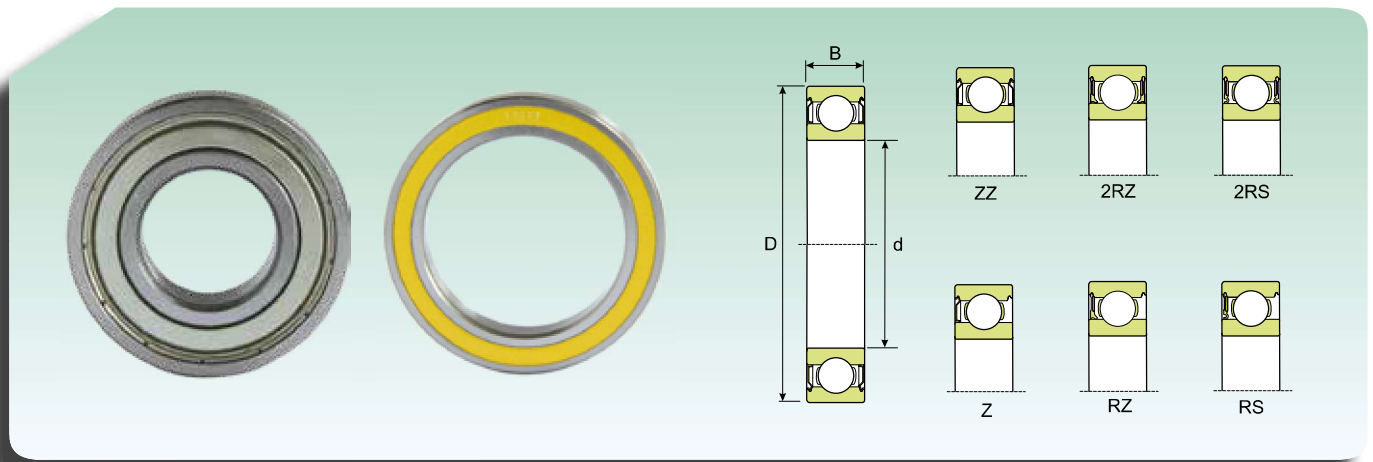


**CUSCINETTI RADIALI AD UNA CORONA DI SFERE, SCHERMATI
SEALED RADIAL DEEP GROOVE BALL BEARINGS**


Dimensioni (mm) Dimension (mm)			Coefficiente di carico (KN) Load rating (KN)		Velocità limite* Speed limit*	Peso (Kg) Weight (Kg)	Sigla Designation	
d (mm)	D (mm)	B (mm)	Dinamico Dynamic C	Statico Static C ₀			Schermo su un lato One side shield	Schermo su entrambi i lati Two side shield
25	42	9	6.88	4.22	19000	0.045	-	61905-ZZ
	42	9	6.88	4.22	17100	0.045	-	61905-2RZ
	42	9	6.88	4.22	9500	0.045	-	61905-2RS
	47	12	11.67	6.42	15200	0.08	6005-Z	6005-ZZ
	47	12	11.67	6.42	9025	0.08	6005-RS	6005-2RS
	47	16	10.98	6.42	9025	0.1	-	63005-2RS
	52	15	14.51	7.65	13300	0.13	6205-Z	6205-ZZ
	52	15	14.51	7.65	8075	0.13	6205-RS	6205-2RS
	52	18	13.72	7.65	8075	0.15	-	62205-2RS
	62	17	22.94	11.37	12350	0.23	6305-Z	6305-ZZ
	62	17	22.94	11.37	12350	0.23	6305-RS	6305-2RZ
	62	17	22.94	11.37	7125	0.23	6305-RZ	6305-2RS
	62	24	22.05	11.37	7125	0.32	-	62305-2RS
	30	37	4	0.95	0.76	17000	0.027	-
42		7	4.41	2.85	16000	0.027	-	61806-ZZ
42		7	4.41	2.85	15200	0.027	-	61806-2RZ
42		7	4.41	2.85	9025	0.027	-	61806-2RS
47		9	7.14	4.46	15000	0.051	-	61906-ZZ
47		9	7.14	4.46	14250	0.051	-	61906-2RZ
47		9	7.14	4.46	8075	0.051	-	61906-2RS
55		13	13.53	8.14	13300	0.12	6006-Z	6006-ZZ
55		13	13.53	8.14	13300	0.12	6006-RZ	6006-2RZ
55		13	13.53	8.14	7600	0.12	6006-RS	6006-2RS
55		19	13.04	8.14	7600	0.16	-	63006-2RS
62		16	19.9	10.98	11400	0.2	6206-Z	6206-ZZ
62		16	19.9	10.98	11400	0.2	6206-RZ	6206-2RZ
62		16	19.9	10.98	7125	0.2	6206-RS	6206-2RS
62		20	19.11	10.98	7125	0.24	-	62206-2RS
72		19	29.01	15.68	10450	0.35	6306-Z	6306-ZZ
72		19	29.01	15.68	10450	0.35	6306-RZ	6306-2RZ
72		19	29.01	15.68	5985	0.35	6306-RS	6306-2RS
72	27	27.54	15.68	5985	0.48	-	62306-2RS	
35	44	5	1.55	1.30	14000	0.03	-	61707-ZZ
	47	7	4.66	3.14	13000	0.03	-	61807-ZZ
	47	7	4.66	3.14	13300	0.03	-	61807-2RZ
	47	7	4.66	3.14	7600	0.03	-	61807-2RS
	55	10	10.67	7.71	12000	0.08	-	61907-ZZ
	55	10	10.67	7.71	12350	0.08	-	61907-2RZ
	55	10	10.67	7.71	7125	0.08	-	61907-2RS
	62	14	16.47	10	11400	0.16	6007-Z	6007-ZZ
	62	14	16.47	10	11400	0.16	6007-RZ	6007-2RZ
	62	14	16.47	10	6650	0.16	6007-RS	6007-2RS
	62	20	15.59	10	6650	0.21	-	63007-2RS
	72	17	26.46	15	9500	0.29	6207-Z	6207-ZZ
	72	17	26.46	15	5985	0.29	6207-RS	6207-2RS
	72	23	24.99	15	5985	0.37	-	62207-2RS
	80	21	34.4	18.62	9025	0.46	6307-Z	6307-ZZ

* Per i cuscinetti schermati solo da un lato sono valide le velocità limite dei cuscinetti aperti
* For one side shield bearings speed limit, use the same value of open bearings