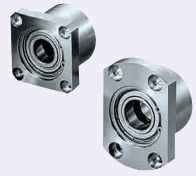


Bearings with Housings

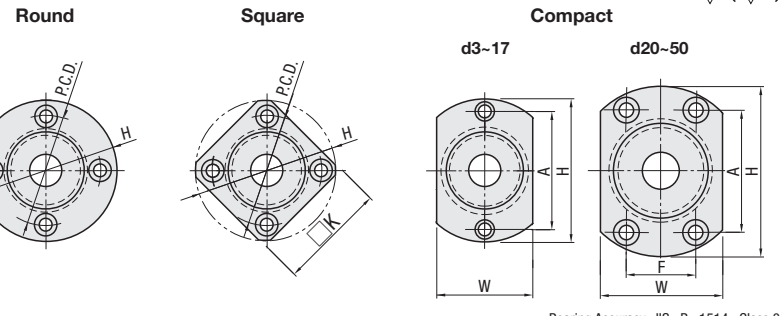
Double Bearings, Retained, L Selectable



Type			Material		Surface Treatment		Accessory
Round	Square	Compact	Bearing	Housing	Bearing	Housing	Retaining Ring
BGRBB	BGSBB	BGCBB	Steel	EN 1.1191	Black Oxide	Electroless Nickel Plating	Spring Steel
BGRB	BGSB	BGCB		Equiv.			EN 1.4301 Equiv.*1
BARB	BASB	BACB	Stainless Steel	Aluminum Alloy 2000 series	Clear Anodize	-	EN 1.4301 Equiv.
SBARB	SBASB	SBACB		EN 1.4301 Equiv.			
SBGRB	SBGSB	SBGCB					

*1 Bearings with Rubber Seals (VV and DD) are all made of steel.

6.3 / (1.6 /)



Bearing Accuracy: JIS B 1514 Class 0

Part Number			L	d	DH7	Tolerance	B	ℓ	H	W	T	dh	D1g7	Tolerance	P.C.D.	K	A	F	d1	d2	H1
Type	Bearing No.	Seal	Selection																		
	623		20 30	3	10	+0.015	4	2.65	33	16	7	7	14	-0.006	24	27	24		6.5	3.5	3.1
	624		20 30	4	13		5	2.65	35	18		9	17	-0.024	26	28	26				
	605		20 30	5	14	+0.018	5	2.65	36	20		10	18		26	30	26				
	625		25 30		16	0	5	2.65	38	22		12	20		28	31	28				
	606		20 35	6	17		6	2.65	39	23		13	21		29	32	29				
	626		25 35		19		6	2.65	41	25		15	24	-0.007	31	34	31				
	698		25 35		19		6	2.65	41	25		15	24	-0.028	31	34	31				
	608		25 35	8	22		7	2.65	45	29		18	27		35	36	35				
	628		25 35		24		8	2.85	47	32		20	30		37	37	37				
	6800		20 30		19		5	2.65	41	25		15	24		31	34	31				
	6900		25 40	10	22	+0.021	6	2.65	45	29	8	19	27		35	36	35		8	4.5	4.1
	6000		25 40		26	0	8	2.85	50	34		22	32	-0.009	40	39	40				
	6200		30 40		30		9	2.85	54	38		24	36	-0.034	44	42	44				
(Round)	BGRBB		25 35		21		5	2.85	44	29		17	26	-0.007	34	35	34				
	BGRB		25 40		24		6	2.85	48	31		21	30	-0.028	38	38	38				
	BARB		25 40	12	28		8	2.85	52	36		24	34	-0.009	42	40	42				
	6001	ZZ	30 40		32	+0.025	10	2.85	56	40		26	38	-0.034	46	43	46				
	6201	Double Shielded	25 35		24	+0.021	5	2.85	47	32		20	30	-0.028	37	37	37				
	6802		25 35		28	0	7	2.85	57	37		25	35		45	45	45				
	6902	1/2 VV	25 50		32	+0.025	9	2.85	60	40		28	38		48	46	48				
(Square)	BGSBB	Non-Contact Sealed Rubber Seal	30 50		35	0	11	3.75	64	44		29	42		52	49	52				
	BGSB		35 50		30	+0.021	7	2.85	60	38	10	27	36	-0.009	48	46	48		9.5	5.5	5.1
	BASB		30 40		30		10	3.75	66	44		31	42	-0.034	54	50	54				
	6003	1/2 DD	35 50		40		12	3.95	72	50		34	48		60	54	60				
	6203	Contact Sealed Rubber Seal	35 50		32		7	3.75	60	40		28	38		48	46	38	29			
(Compact)	BGCBB		35 50		37	+0.025	9	3.75	69	47		34	45	-0.010	56	54	51	24			
	BGCB		40 50		42	0	12	3.95	77	54		36	50	-0.034	64	59	56	32			
	6204		45 50		47		14	3.95	81	58	11	40	54	-0.010	68	62	59	34	11	6.6	6.1
	6805		35 50		37		7	3.75	69	47		34	45	-0.009	56	54	51	24			
	6905		35 50		42		9	3.95	77	54		36	50	-0.034	64	59	56	32			
	6005		40 60		47		12	3.95	88	58		41	54	-0.010	72	67	63	36	14	9	8.1
	6205		45 60		52	+0.030	15	4.2	94	64		45	60	-0.040	78	72	68	39			
	6806		35 50		42	+0.025	7	3.95	77	54		36	50	-0.034	64	59	56	32	11	6.6	6.1
	6906		35 50		47	0	9	3.95	88	58	13	41	54		72	67	63	36			
	6006		40 60		55		13	4.2	96	66		48	62	-0.010	80	73	70	40			
	6206		50 60		62		16	4.2	104	74		55	70	-0.040	88	79	77	44			
	6007		50 60		62		14	4.2	104	74		55	70		88	79	75	44			
	6207		60 80		72	+0.030	17	6	126	88	20	64	84	-0.012	105	95	92	51	17.5	11	11
	6008		60 70		68	0	15	5.2	114	82	13	60	78	-0.010	96	86	80	54	14	9	8.1
	6208		60 80		80		18	6	134	96		74	92		113	102	98	56			
	6010	ZZ	70		80		16	6	134	96	20	74	92	-0.012	113	-	98	56	17.5	11	11
	6210	Double Shielded	90		90	+0.035	20	7	147	110		83	106	-0.047	126	-	104	72			

*1 Check for available sizes in the price list.

*2 No. 623, 624, 605 and 606 are not available for VV (Non-contact Sealed).

*3 Bearings with Rubber Seals are all made of steel.

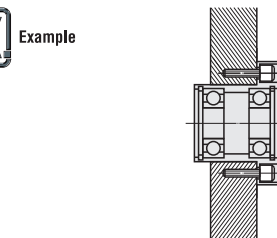


Ordering Example

Type	Bearing	Seal	L
BGCN	6000	ZZ	25
BGSN	6203	DD	30

Bearing No.	Seal	Unit Price														
		Round			Square					Compact						
		BGRBB	BGRB	BARB	SBARB	SBGRB	BGSBB	BGSB	BASB	SBASB	SBGSB	BGCBB	BGCB	BACB	SBACB	SBGCB
623																
624																
605																
625																
606																
626																
698																
608																
628																
6800																
6900																
6000																
6200																
6801																
6901																
6001																
6201																
6802																
6902	ZZ (x1.0)															
6002																
6202	VV (x1.1)															
6903																
6003																
6203	DD (x1.1)															
6804																
6904																
6004																
6204																
6805																
6905																
6005																
6205																
6806																
6906																
6006																
6206																
6007																
6207																
6008																
6208																
6010																
6210																

*4 The price of sealed VV and DD are the price shown in the table multiplied by 1.1.



Alterations Part Number - L - (NA)
BGRB6000DD - 25 - NA

Alteration	Bearings, Retaining Rings Not Assembled
Code	NA
Spec.	Bearings and retaining rings are shipped unassembled to the housing.