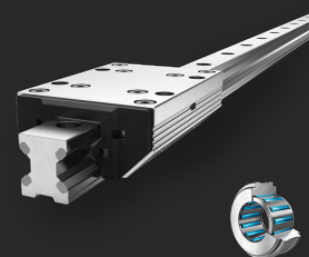


Linear Guides Type FDA-K

Double rail and Cassette Standard



Aluminum roller guides of type FDA convince with the highest load capacity of all Franke linear guides as well as very good dynamics.

Description

Franke FDA linear guides are equipped with very quiet, smooth-running, high-quality needle bearings and are made almost entirely of lightweight aluminum. The sealed roller bearings enable maintenance-free operation over the entire service life. Rail elements can be manufactured in a length of 200 mm to 4000 mm and, on request, can also be linked endlessly.

Characteristics

Rollers	Needle bearings
Raceway	Spring steel

Properties

Resilience	●●●●●
Dynamics	●●●●
Corrosion resistant	●●
Non magnetic	●
Lubricant free	●
Price	●●●●

Technical data

Stroke length

One piece from 200 mm to 4000 mm, connectable on request

Material

Cassette plate, roller shoes,
 Rail body: aluminum, anodized
 Raceways: spring steel
 Rollers: bearing steel

Operating temperature

-20 °C to +80 °C

Maximum speed

10 m/s

Maximum acceleration

40 m/s²

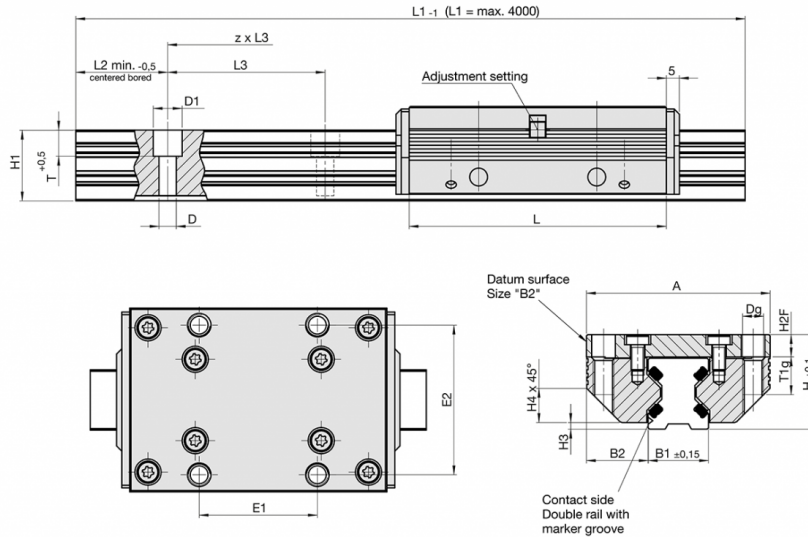
Mounting position

Any

Lubricant

Lifetime-lubricated, maintenance-free

Data tables



FDA-K

Size	Dimensions mm									
	A	L	H	B1	B2	D	D1	Dg	E1	
12	37	64	19	12,00	12,50	3,4	6	M 4	25	
15	47	78	24	15,50	15,75	4,5	8	M 5	30	
20	63	92	30	21,00	21,00	5,5	10	M 6	40	
25	70	98	36	23,00	23,50	6,6	11	M 8	45	
35	100	135	48	32,00	34,00	9,0	15	M10	62	
45	120	165	60	45,00	37,50	11,0	18	M12	80	

FDA-K

Size	Dimensions mm									
	E2	H1	H2F	H3	H4	L2	L3	T	T1g	
12	30	14,7	4,0	1,4	5,5	10	40	5,5	8	
15	38	18,7	5,0	2,0	8,0	10	60	6,0	10	
20	53	22,6	7,0	2,0	11,0	10	60	8,0	12	
25	57	27,0	8,5	2,5	13,0	10	60	10,0	16	
35	82	37,0	10,5	3,5	20,0	12	80	11,5	20	
45	100	46,0	13,5	4,0	22,0	16	105	14,5	24	

Linear Guides Type FDA-K

Double rail and Cassette

Standard

Innovation in Motion



Basic load ratings, weight, length

Size	Load ratings		Moment capacities cassette				Weight		Order no.
	N		Nm				kg		
	C	C ₀	M _{0cx}	M _{cx}	M _{0cy} /M _{0cz}	M _{cy} /M _{cz}	Cassette	Rail/m	
12	2800	3000	27,0	25,0	43,0	40,0	0,09	0,40	84494A
15	4200	3400	37,0	45,0	58,0	72,0	0,17	0,80	84396A
20	5400	5400	76,0	76,0	111,0	111,0	0,35	1,30	84441A
25	9000	10100	158,0	142,0	222,0	198,0	0,50	1,60	84363A
35	12500	18000	423,0	294,0	559,0	388,0	1,40	2,60	84364A
45	21200	25900	827,0	687,0	983,0	806,0	2,50	4,50	84365A

Contact

Franke GmbH
 Obere Bahnstraße 64
 73431 Aalen - Germany

Tel. +49 7361 920-0
 Fax +49 7361 920-120
 info@franke-gmbh.de

DIN EN ISO 9001 QM
 DIN EN ISO 14001 QM

Created: 06.12.2024