



Brand of NTN corporation

Technical data

USFD205M12

Bearing units

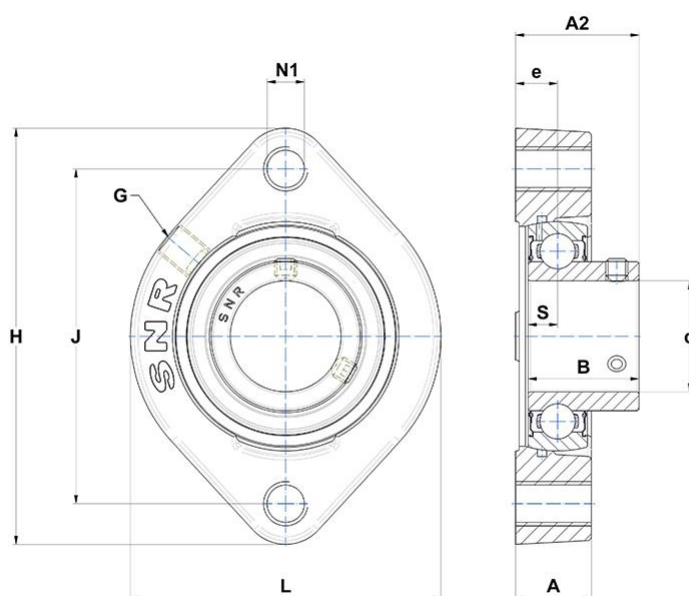


Grey cast housing, radial insert ball bearing with socket set screws, single lip seal

KIT CONTENT

US205G2, FD205G

VISUAL (S)



PRODUCT DEFINITION

Brand	SNR
A - Housing height	17,5 mm
A2 - Total height from mounting surface	29,4 mm
B - Width of Inner Ring	27 mm
d - Shaft diameter	25 mm
e - Distance mounting surface to bearing center	9,9 mm



NTN Europe

1 rue des Usines · BP 2017 · 74010 Annecy Cedex · France · Tel. +33 (0)4 50 65 30 00
S.A. au capital de 322 639 919 € · RCS ANNECY B 325 821 072 · Id. Fiscale : FR 48 325 821 072
SIRET 325 821 072 00015 · Code APE 2815 Z · Code NACE 28.15

PRODUCT DEFINITION

G - Grease fitting	M6x1
H - Housing length, width or diameter	97 mm
J - Mounting holes distance	76,2 mm
L - Housing width / diameter	71 mm
N1 - Mounting hole thread	M12
S - Distance front side/bearing centre	7,5 mm

PRODUCT PERFORMANCE

C - Dynamic load rating	14 kN
C0 - Static load rating	7,88 kN
Operating temperature min.	-20 °C
Operating temperature max.	100 °C

OTHER FEATURES

Mass	0,47 kg
Recommended tightening torque for set screw	5.5 N-m

