



Brand of NTN corporation

Technical data

USFD206M12

Bearing units

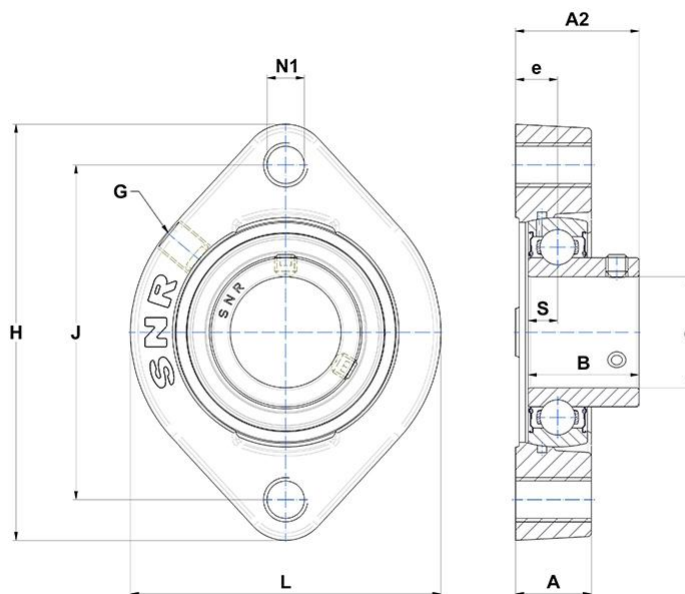


Grey cast housing, radial insert ball bearing with socket set screws, single lip seal

KIT CONTENT

US206G2, FD206G

VISUAL (S)



PRODUCT DEFINITION

Brand	SNR
A - Housing height	20,5 mm
A2 - Total height from mounting surface	33,4 mm
B - Width of Inner Ring	30 mm
d - Shaft diameter	30 mm
e - Distance mounting surface to bearing center	11,4 mm



NTN Europe

1 rue des Usines · BP 2017 · 74010 Annecy Cedex · France · Tel. +33 (0)4 50 65 30 00
S.A. au capital de 322 639 919 € · RCS ANNECY B 325 821 072 · Id. Fiscale : FR 48 325 821 072
SIRET 325 821 072 00015 · Code APE 2815 Z · Code NACE 28.15

PRODUCT DEFINITION

G - Grease fitting	R1/8"
H - Housing length, width or diameter	112,5 mm
J - Mounting holes distance	90,5 mm
L - Housing width / diameter	84 mm
N1 - Mounting hole thread	M12
S - Distance front side/bearing centre	8 mm

PRODUCT PERFORMANCE

C - Dynamic load rating	19,5 kN
C0 - Static load rating	11,2 kN
Operating temperature min.	-20 °C
Operating temperature max.	100 °C

OTHER FEATURES

Mass	0,67 kg
Recommended tightening torque for set screw	5.5 N-m

