



Brand of NTN corporation

Technical data

USFD207M12

Bearing units

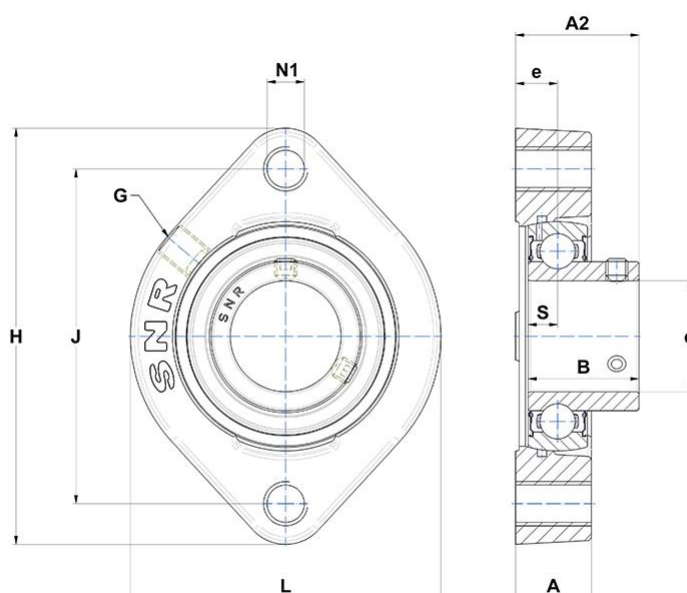


Grey cast housing, radial insert ball bearing with socket set screws, single lip seal

KIT CONTENT

US207G2, FD207G

VISUAL (S)



PRODUCT DEFINITION

Brand	SNR
A - Housing height	22 mm
A2 - Total height from mounting surface	35,9 mm
B - Width of Inner Ring	32 mm
d - Shaft diameter	35 mm
e - Distance mounting surface to bearing center	12,4 mm



NTN Europe

1 rue des Usines · BP 2017 · 74010 Annecy Cedex · France · Tel. +33 (0)4 50 65 30 00
S.A. au capital de 322 639 919 € · RCS ANNECY B 325 821 072 · Id. Fiscale : FR 48 325 821 072
SIRET 325 821 072 00015 · Code APE 2815 Z · Code NACE 28.15

PRODUCT DEFINITION

G - Grease fitting	R1/8"
H - Housing length, width or diameter	126 mm
J - Mounting holes distance	100 mm
L - Housing width / diameter	94 mm
N1 - Mounting hole thread	M12
S - Distance front side/bearing centre	8,5 mm

PRODUCT PERFORMANCE

C - Dynamic load rating	25,7 kN
C0 - Static load rating	15,2 kN
Operating temperature min.	-20 °C
Operating temperature max.	100 °C

OTHER FEATURES

Mass	0,92 kg
Recommended tightening torque for set screw	5.5 N-m

