



Brand of NTN corporation

## Technical data

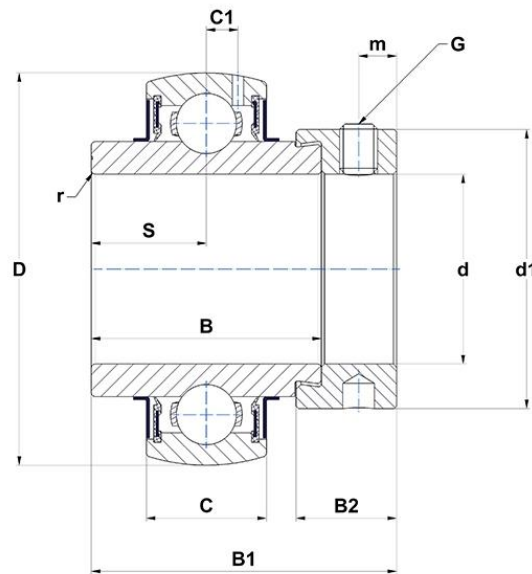
### EX307G2

Insert bearings



Spherical outer diameter, fixing by eccentric locking collar, seal with slinger

#### VISUAL (S)



#### PRODUCT DEFINITION

<b>Brand</b>	SNR
<b>B - Width of Inner Ring</b>	38,1 mm
<b>B1 - Overall width Inner Ring</b>	51,6 mm
<b>B2 - Width of eccentric locking collar/nut</b>	17,5 mm
<b>C - Width of Outer Ring</b>	25 mm
<b>C1 - Distance center of OR to center of lubrication zone</b>	7,2 mm
<b>d - Shaft diameter</b>	35 mm
<b>d1 - Outer dia of eccent. Lock. collar / nut of adapter sleeve</b>	55 mm



**NTN Europe**

1 rue des Usines · BP 2017 · 74010 Annecy Cedex · France · Tel. +33 (0)4 50 65 30 00  
 S.A. au capital de 322 639 919 € · RCS ANNECY B 325 821 072 · Id. Fiscale : FR 48 325 821 072  
 SIRET 325 821 072 00015 · Code APE 2815 Z · Code NACE 28.15

### PRODUCT DEFINITION

<b>D - Outer diameter of OR</b>	80 mm
<b>G - Set screw size</b>	M8x1
<b>m - Distance to set screw</b>	6,7 mm
<b>r - Radius Inner Ring</b>	2
<b>S - Distance front side/bearing centre</b>	18,3 mm
<b>f0 - Factor</b>	12.8
<b>SW - Wrench size</b>	4 mm

### PRODUCT PERFORMANCE

<b>C - Dynamic load rating</b>	33,5 kN
<b>C0 - Static load rating</b>	19,2 kN
<b>Operating temperature min.</b>	-20 °C
<b>Operating temperature max.</b>	100 °C

### OTHER FEATURES

<b>Mass</b>	0,8 kg
<b>Recommended tightening torque for set screw</b>	11.5 N-m

### BEARING FREQUENCIES

<b>BPFO - Characteristic outer ring frequency (60 rpm)</b>	2.63032608695652 Hz
<b>BPFI - Characteristic inner ring frequency (60 rpm)</b>	4.36967391304348 Hz
<b>FTF - Characteristic cage frequency (60 rpm)</b>	0.375760869565217 Hz
<b>BSF - Characteristic rolling element frequency (60 rpm)</b>	3.7760186770132 Hz

