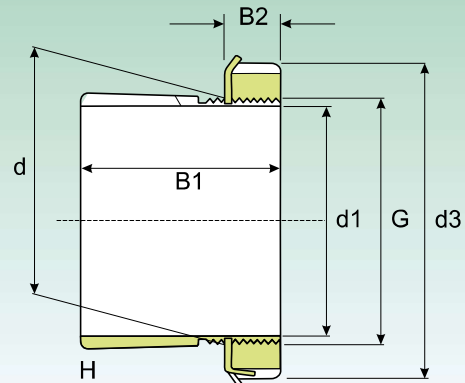


**BUSSOLE DI TRAZIONE
ADAPTER SLEEVES**



Dimensione Dimension						Peso (kg) Weight (Kg)	Sigla Designation			
d1 (mm)	d (mm)	d3 (mm)	B1 (mm)	B2 (mm)	G (mm)		Bussole di trazione con ghiera e dispositivo di sicurezza Adapter sleeves with lock nut and washer	Ghiera di bloccaggio Lock nut	Dispositivo di sicurezza Washer	Ghiera idraulica Hydraulic Lock nut
75	85	110	50	18	M 85x2	0.94	H 217	KM 17	MB 17	HMV 17 E
	85	110	82	18	M 85x2	1.35	H 2317	KM 17	MB 17	HMV 17 E
	85	110	63	18	M 85x2	1.1	H 317	KM 17	MB 17	HMV 17 E
80	90	120	52	18	M 90x2	1.1	H 218	KM 18	MB 18	HMV 18 E
	90	120	86	18	M 90x2	1.6	H 2318	KM 18	MB 18	HMV 18 E
	90	120	65	18	M 90x2	1.3	H 318	KM 18	MB 18	HMV 18 E
85	95	125	55	19	M 95x2	1.25	H 219	KM 19	MB 19	HMV 19 E
	95	125	90	19	M 95x2	1.8	H 2319	KM 19	MB 19	HMV 19 E
	95	125	68	19	M 95x2	1.4	H 319	KM 19	MB 19	HMV 19 E
90	100	130	58	20	M 100x2	1.4	H 220	KM 20	MB 20	HMV 20 E
	100	130	97	20	M 100x2	2	H 2320	KM 20	MB 20	HMV 20 E
	100	130	76	20	M 100x2	1.8	H 3120	KM 20	MB 20	HMV 20 E
	100	130	71	20	M 100x2	1.6	H 320	KM 20	MB 20	HMV 20 E
100	110	145	63	21	M 110x2	1.8	H 222	KM 22	MB 22	HMV 22 E
	110	145	105	21	M 110x2	2.75	H 2322	KM 22	MB 22	HMV 22 E
	110	145	81	21	M 110x2	2.1	H 3122	KM 22	MB 22	HMV 22 E
	110	145	77	21	M 110x2	2.04	H 322	KM 22	MB 22	HMV 22 E
110	120	145	72	22	M 120x2	1.8	H 3024	KML 24	MBL 24	HMV 24 E
	120	155	112	22	M 120x2	3	H 2324	KM 24	MB 24	HMV 24 E
	120	155	88	22	M 120x2	2.5	H 3124	KM 24	MB 24	HMV 24 E
115	130	155	80	23	M 130x2	2.8	H 3026	KML 26	MBL 26	HMV 26 E
	130	165	121	23	M 130x2	4.45	H 2326	KM 26	MB 26	HMV 26 E
	130	165	92	23	M 130x2	3.45	H 3126	KM 26	MB 26	HMV 26 E
125	140	165	82	24	M 140x2	3.05	H 3028	KML 28	MBL 28	HMV 28 E
	140	180	131	24	M 140x2	5.4	H 2328	KM 28	MB 28	HMV 28 E
	140	180	97	24	M 140x2	4.1	H 3128	KM 28	MB 28	HMV 28 E
135	150	180	87	26	M 150x2	3.75	H 3030	KML 30	MBL 30	HMV 30 E
	150	195	139	26	M 150x2	6.4	H 2330	KM 30	MB 30	HMV 30 E
	150	195	111	26	M 150x2	5.25	H 3130	KM 30	MB 30	HMV 30 E
140	160	190	93	27.5	M 160x3	5.1	H 3032	KML 32	MBL 32	HMV 32 E
	160	210	147	27.5	M 160x3	8.8	H 2332	KM 32	MB 32	HMV 32 E
	160	210	119	27.5	M 160x3	7.25	H 3132	KM 32	MB 32	HMV 32 E
150	170	200	101	28.5	M 170x3	5.8	H 3034	KML 34	MBL 34	HMV 34 E
	170	220	154	28.5	M 170x3	9.9	H 2334	KM 34	MB 34	HMV 34 E
	170	220	122	28.5	M 170x3	8.1	H 3134	KM 34	MB 34	HMV 34 E
160	180	210	109	29.5	M 180x3	6.7	H 3036	KML 36	MBL 36	HMV 36 E
	180	210	87	29.5	M 180x3	5.7	H 3936	KML 36	MBL 36	HMV 36 E
	180	230	161	30	M 180x3	11	H 2336	KM 36	MB 36	HMV 36 E
	180	230	131	29.5	M 180x3	9.15	H 3136	KM 36	MB 36	HMV 36 E