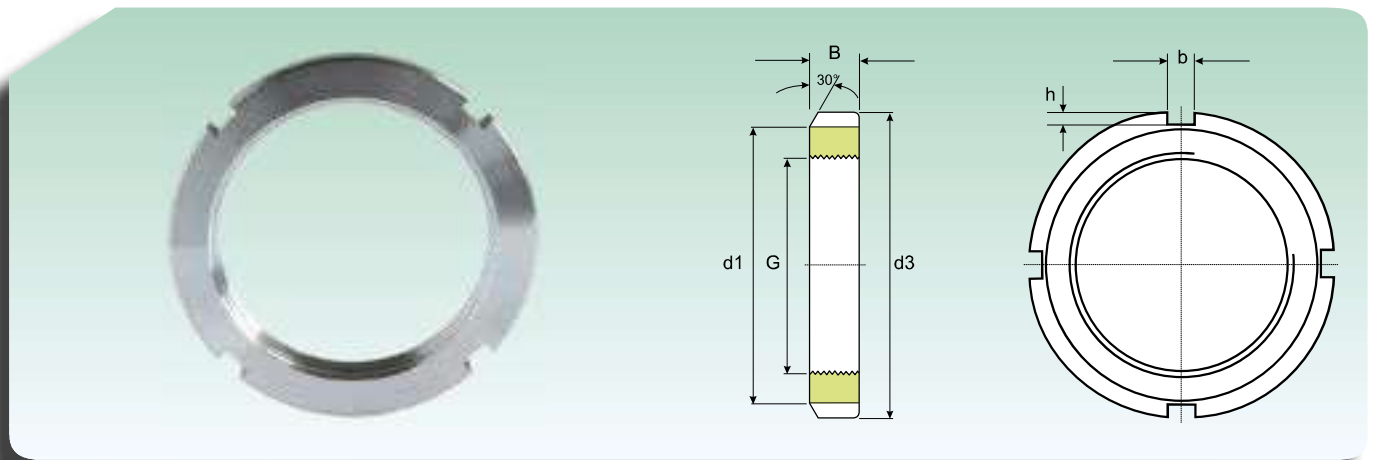


**GHIERE DI BLOCCAGGIO CON ROSETTA DI SICUREZZA
LOCK NUTS WITH LOCKING WASHER**


Dimensioni Dimension						Peso (kg) Weight (Kg)	Sigla Designation	
G (mm)	d1 (mm)	d3 (mm)	B (mm)	b (mm)	h (mm)		Ghiera di bloccaggio Designation locknut	Rosetta di sicurezza Locking Washer
M 10x0.75	13.5	18	4	3	2	0.004	KM 0	MB 0
M 12x1	17	22	4	3	2	0.006	KM 1	MB 1
M 15x1	21	25	5	4	2	0.009	KM 2	MB 2
M 17x1	24	28	5	4	2	0.015	KM 3	MB 3
M 20x1	26	32	6	4	2	0.025	KM 4	MB 4
M 25x1.5	32	38	7	5	2	0.028	KM 5	MB 5
M 30x1.5	38	45	7	5	2	0.039	KM 6	MB 6
M 35x1.5	44	52	8	5	2	0.059	KM 7	MB 7
M 40x1.5	50	58	9	6	2.5	0.078	KM 8	MB 8
M 45x1.5	56	65	10	6	2.5	0.11	KM 9	MB 9
M 50x1.5	61	70	11	6	2.5	0.14	KM 10	MB 10
M 55x2	67	75	11	7	3	0.15	KM 11	MB 11
M 60x2	73	80	11	7	3	0.16	KM 12	MB 12
M 65x2	79	85	12	7	3	0.19	KM 13	MB 13
M 70x2	85	92	12	8	3.5	0.23	KM 14	MB 14
M 75x2	90	98	13	8	3.5	0.27	KM 15	MB 15
M 80x2	95	105	15	8	3.5	0.36	KM 16	MB 16
M 85x2	102	110	16	8	3.5	0.41	KM 17	MB 17
M 90x2	108	120	16	10	4	0.51	KM 18	MB 18
M 95x2	113	125	17	10	4	0.55	KM 19	MB 19
M 100x2	120	130	18	10	4	0.64	KM 20	MB 20
M 105x2	126	140	18	12	4	0.79	KM 21	MB 21
M 110x2	133	145	19	12	5	0.87	KM 22	MB 22
M 115x2	137	150	19	12	5	0.91	KM 23	MB 23
M 120x2	135	145	20	12	5	0.69	KML 24	MBL 24
M 120x2	138	155	20	12	5	0.97	KM 24	MB 24
M 125x2	148	160	21	12	5	1.09	KM 25	MB 25
M 130x2	145	155	21	12	5	0.8	KML 26	MBL 26
M 130x2	149	165	21	12	5	1.09	KM 26	MB 26
M 135x2	160	175	22	14	6	1.39	KM 27	MB 27
M 140x2	155	165	22	12	5	0.92	KML 28	MBL 28