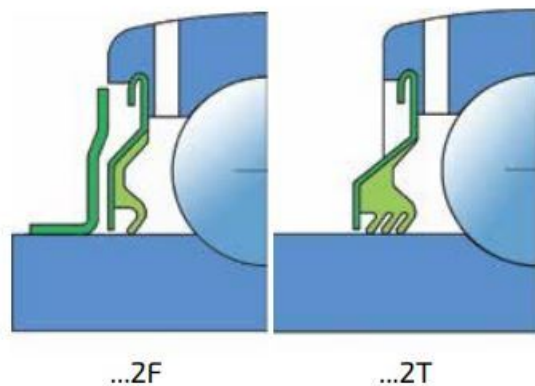
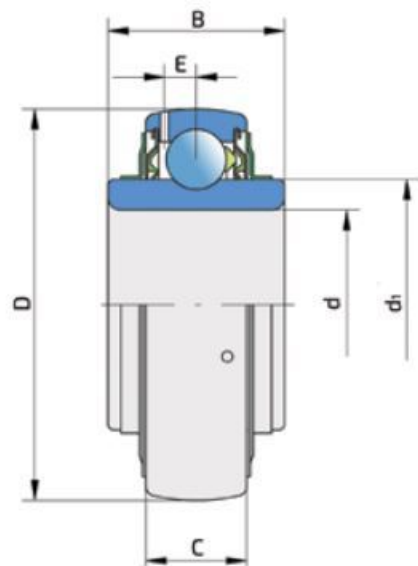


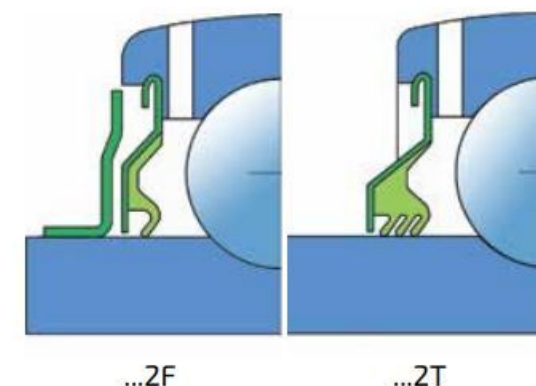
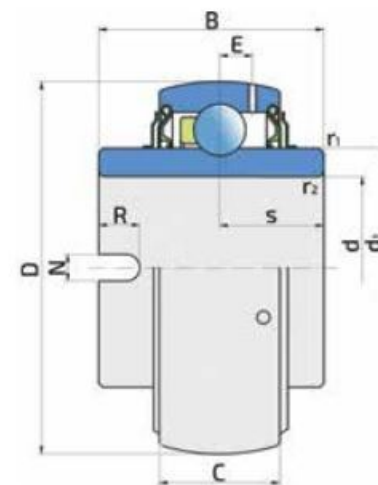
#### 4.6. Y-Ball Bearings with Extended Standard Inner Ring



LS...

Shaft d	Dimensions (mm)					Load rating (kN)			Mass kg	Designations
	D	B	C	d <sub>1</sub>	E	C <sub>dyn</sub>	C <sub>o</sub>	P <sub>u</sub>		
25	52	24	15	33.6	4.3	14	7.8	0.335	0.14	LS 205 2F
30	62	28	18	39.7	5.1	19.5	11.2	0.475	0.23	LS 206 2F
35	72	30.5	19	46.1	5.6	25.5	15.3	0.655	0.31	LS 207 2F
40	80	33.9	21	51.8	6.1	30.7	19	0.800	0.43	LS 208 2F
45	85	35	22	56.6	6.1	33.2	21.6	0.915	0.53	LS 209 2F
50	90	37	22	62.5	6.4	35.1	23.2	0.980	0.6	LS 210 2F
55	100	40	25	69.1	7	43.6	29	1.25	0.79	LS 211 2F

#### 4.7. Y-Ball Bearings with Drive Slot in Inner Ring



LN...

Shaft d	Dimensions (mm)							Load rating (kN)			Mass kg	Designations
	D	B	C	d <sub>1</sub>	N	R	E	C <sub>dyn</sub>	C <sub>o</sub>	P <sub>u</sub>		
20	47	34.1	14	28.2	7	7	4.3	12.7	6.55	0.280	0.16	LN 204 2F
30	62	36.5	18	39.7	8	7	5.1	19.5	11.2	0.475	0.30	LN 206 2F
35	72	37.7	19	46.1	8	7	5.6	25.5	15.3	0.655	0.49	LN 207 2F