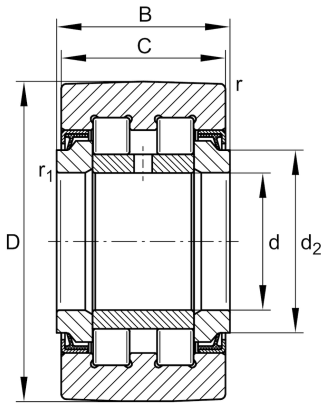
**PWTR30-2RS-XL**

## Yoke type track roller

Yoke type track rollers PWTR..-2RS, full complement cylindrical roller set, with axial guidance, lip seals on both sides

X-life

## Technické informace

**Main Dimensions & Performance Data**

d	30 mm	Bore diameter
D	62 mm	Outside diameter
B	29 mm	Width, inner ring
$C_{r w}$	35.000 N	Basic dynamic load rating, radial
$C_{0r w}$	44.500 N	Basic static load rating, radial
$C_{ur w}$	6.000 N	Fatigue load limit, radial
$n_{DG}$	2.200 1/min	Speed on permanent grease lubrication
$F_{0r per}$	44.500 N	Permissible static load, radial
$F_{r per}$	28.500 N	Permissible dynamic load outer ring, radial
$\approx m$	0,452 kg	Hmotnost

**Dimensions**

C	28 mm	Width, outer ring
$d_2$	38 mm	Stop diameter of thrust washer
$r_{min}$	1 mm	Minimum chamfer dimension
$r_{1 min}$	0,5 mm	Minimum chamfer dimension