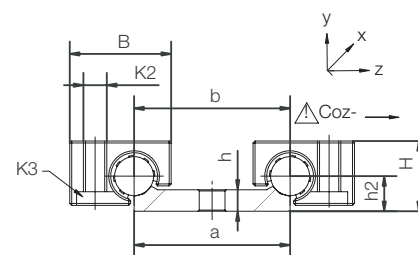
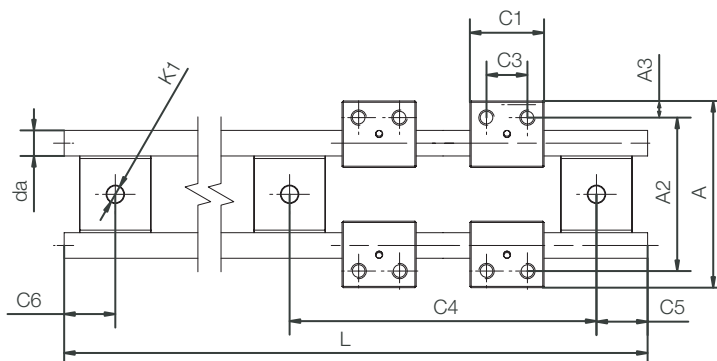
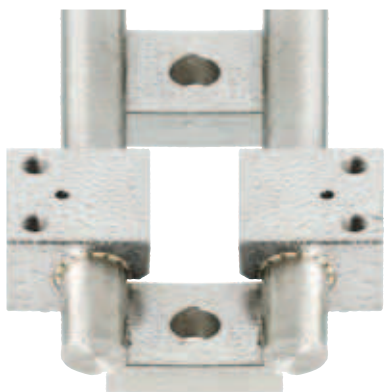


Round double rail and housing bearing, made from V4A stainless steel



Size 10-20

Material for housing and shaft support 1.4408 (AISI 316)

Shaft material 1.4571 (AISI 316Ti)

Size 25

Material for shaft, shaft support, housing 1.4571 (AISI 316Ti)

Technical data and dimensions [mm]

Part No.	Weight [kg/m]	H ⁵⁷⁾ ±0.25	da h9	L Max.	a -0.3	b	h	h2	A	A2
WS-10-40-ES-FG	1.58	18	10	3,000	40	40	5.5	9	73	60

Part No.	C4	C5	C5	C6	C6	K1 for screw DIN 912
		Min.	Max.	Min.	Max.	
WS-10-40-ES-FG	120	20	79.5	20	79.5	M6

⁵⁷⁾ Height dimension minus the bearing clearance tolerance

Housing bearing round, made from stainless steel V4A



Technical data and dimensions [mm]

Part No.	Weight [g]	B	C1	C3	A3	K2	K3	Static load capacity		
								Flat-head screw	Co _y [N]	Co _z + [N]
WJUM-01-10-ES-FG ⁵⁹⁾	57	26	29	16	6.5	M6	M5	3,800	3,800	950
WJUM-01-16-ES-FG ⁵⁹⁾	134	34.5	36	18	9	M8	M6	6,900	6,900	1,450
WJUM-01-20-ES-FG ⁵⁹⁾	280	42.5	45	27	9	M8	M6	11,000	11,000	1,900
WJUM-01-25-ES ⁵⁹⁾	564	52.5	58	36	11	M10	M8	16,000	16,000	3,600

⁵⁹⁾ Alternative with XUMO-01-... liners for high temperatures available. Part No. WXUM-01-...

drylin® W profile guides | Product range

Housing bearing, made from V4A stainless steel



Order key



Type

Design

W J UM-01-10-ES-FG

drylin® W

iglidur® J liner

Housing bearing,
round

Standard

Size 10

Stainless steel

Precision casting

Material

ES: Stainless steel 1.4571 (AISI 316Ti)

ES-FG: Stainless steel precision casting 1.4408

Technical data and dimensions [mm]

Part No.	Weight [g]	B	C1	C3	A3	K2	K3 Flat-head screw	Stat. load capacity		
								Coz [N]	Coz+ [N]	Coz- [N]
WJUM-01-10-ES-FG ⁵⁹⁾	57	26	29	16	6.5	M6	M5	3,800	3,800	95
WJUM-01-16-ES-FG ⁵⁹⁾	134	34.5	36	18	9	M8	M6	6,900	6,900	1,450
WJUM-01-20-ES-FG ⁵⁹⁾	280	42.5	45	27	9	M8	M6	11,000	11,000	1,900
WJUM-01-25-ES ⁵⁹⁾	564	52.5	58	36	11	M10	M8	16,000	16,000	3,600

⁵⁹⁾ Alternative with XUMO-01-... liners for high temperatures available. ⁵⁹⁾ alternative with XUMO-01-... liners for high temperatures available. Part No. WXUM-01-...